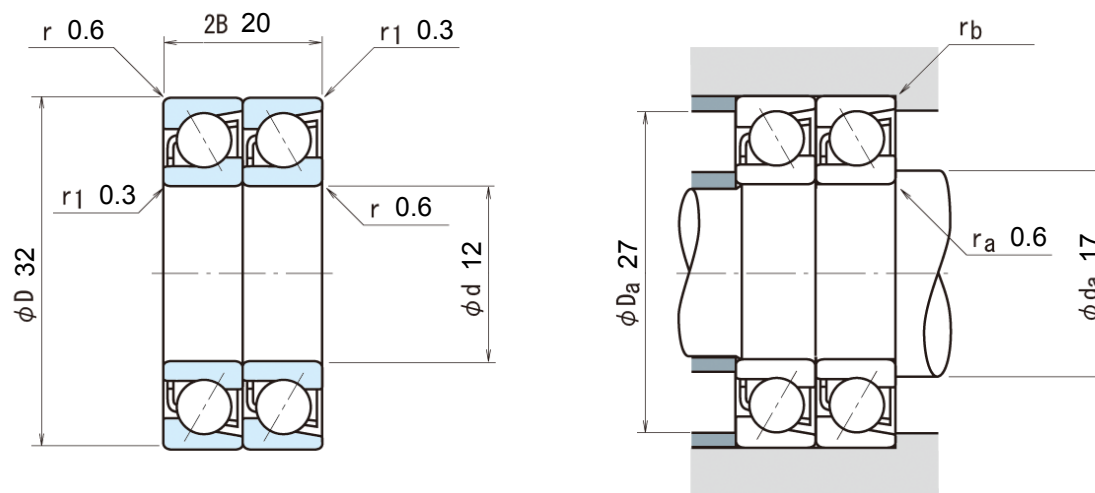


Boundary Dimensions (mm)					Basic Load Ratings (kN)		Limiting Speeds (min <sup>-1</sup> )		Bearing Numbers	NSKHPS
<i>d</i>	<i>D</i>	<i>2B</i>	<i>r</i> min.	<i>r1</i> min.	<i>C<sub>r</sub></i>	<i>C<sub>0r</sub></i>	Grease	Oil		
12	32	20	0.6	0.3	12.1	7.5	12000	16000	<b>7201BWDT</b>	



Factor	Mass (kg) approx.
<i>f<sub>0</sub></i>	approx.
-	0.076